

FEATURES AND SPECIFICATIONS

Features and Benefits

- Crimp wire sizes 18 to 30 AWG
- Patented bifurcated contact
- Available in various plating options

Reference Information

Packaging: Bag or reel
 Use With: 1796 housing
 Designed In: Inches

Electrical

Voltage: 250V
 Current: 5.0A
 Contact Resistance: 20mΩ max.
 Dielectric Withstanding Voltage: 1500V
 Insulation Resistance: 50 MΩ min.

Mechanical

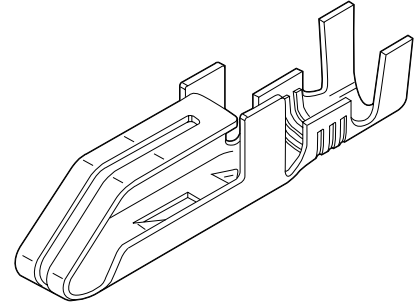
Contact Retention to Housing: 8 lb min.
 Wire Pull-Out Force: 20 lb for 18 AWG
 (less for smaller wire)

Physical

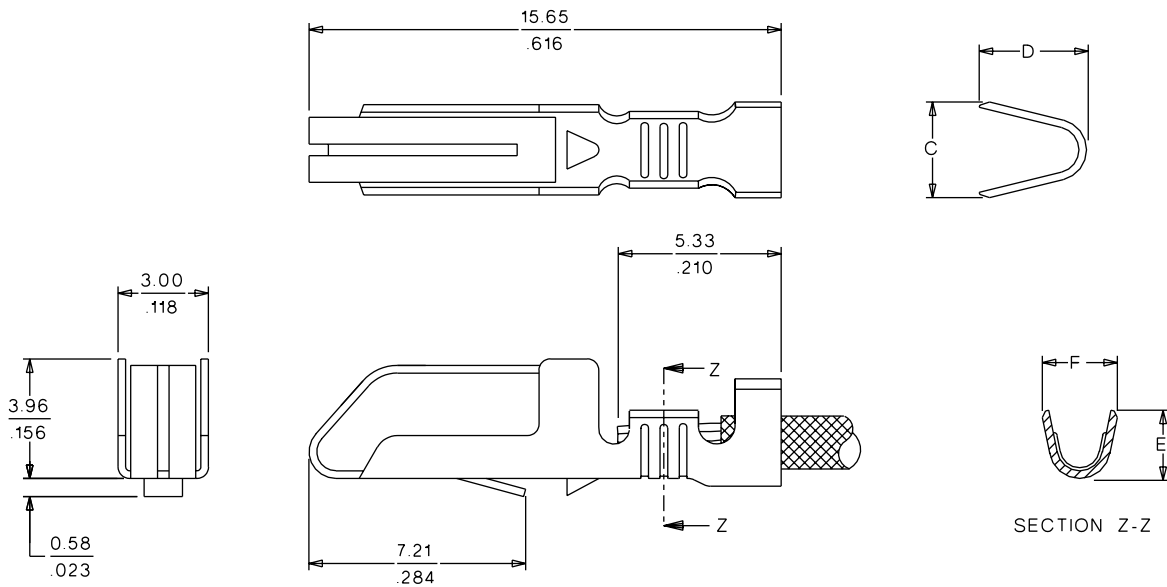
Contact: See Table
 Plating: See Table

molex® 3.96mm (.156") Pitch KK® Single-Sided Edge Connector Crimp Terminals

1797/4295



Sockets and Edge Connectors



ORDERING INFORMATION AND DIMENSIONS

Crimp Wire Size	Order No.		Engineering No.	Plating No.	Insulation Diameter
	Bag	Reel			
18-20	08-01-0101	08-01-0102	1797-AA	1	1.52/3.05 (.060/.110)
	08-05-0103	08-05-0104	1797-AA	2	
	08-06-0101	08-06-0102	1797-AA	3	
	08-03-0101	08-03-0102	1797-BA	4	
	08-07-0101	08-07-0102	1797-BA	5	
	08-01-0112	08-01-0113	4295*	1	
22-30	08-01-0105	08-01-0106	1797-AB	1	1.02/2.29 (.040/.090)
	08-05-0105		1797-AB	2	

* Nonbifurcated

Plating No. 1: Tin plated

Plating No. 2: 0.0008mm (.00003") min. selective Gold plate over Nickel-plated Brass

Plating No. 3: 0.0005mm (.00002") min. Gold plate over Nickel-plated Brass

Plating No. 4: Tin-plated Phosphor Bronze

Plating No. 5: 0.0005mm (.00002") min. Gold plate over Nickel-plated Phosphor Bronze